



## **FREEWORLD BRAND, LLC**

**Global Traders:** Operators of FreeWorldImports.com and FreeWorldExports.com marketplaces

---

# **SMART ELECTRIC WINE AERATOR, INSTANT ONE TOUCH OPERATION-PORTABLE WINE DECANTER PUMP AND DISPENSER FOR WINE SPOUT - FITS MOST BOTTLES**

---

309 Fellowship Road | East Gate Center | Suite 200 | Mt. Laurel | NJ 08054

**Web-Presence:** <http://freeworldbrand.com>

**Phone/Fax:** 609-900-7707



# **FREeworld BRAND, LLC**

**Global Traders:** Operators of FreeWorldImports.com and FreeWorldExports.com marketplaces

---



---

309 Fellowship Road | East Gate Center | Suite 200 | Mt. Laurel | NJ 08054

**Web-Presence:** <http://freeworldbrand.com>

**Phone/Fax:** 609-900-7707



# FREEWORLD BRAND, LLC

**Global Traders:** Operators of FreeWorldImports.com and FreeWorldExports.com marketplaces

---



---

309 Fellowship Road | East Gate Center | Suite 200 | Mt. Laurel | NJ 08054

**Web-Presence:** <http://freeworldbrand.com>

**Phone/Fax:** 609-900-7707



## **FREeworld BRAND, LLC**

**Global Traders:** Operators of FreeWorldImports.com and FreeWorldExports.com marketplaces

---

# **Multiple Intelligent Decanter**

Microcomputer simulation technology, dual motor micro cycle  
One button fast hangover, release red wine taste



---

309 Fellowship Road | East Gate Center | Suite 200 | Mt. Laurel | NJ 08054

**Web-Presence:** <http://freeworldbrand.com>

**Phone/Fax:** 609-900-7707



## **FREEWORLD BRAND, LLC**

**Global Traders:** Operators of FreeWorldImports.com and FreeWorldExports.com marketplaces

---



# Instantly Decanting

**Dual motor electronic  
intelligent decanter**

After decanting, the wine will be given the proper aroma, the taste is lubricated and the alcohol is positive, which significantly reduces the bitterness and miscellaneous taste at the entrance.

---

309 Fellowship Road | East Gate Center | Suite 200 | Mt. Laurel | NJ 08054

**Web-Presence:** <http://freeworldbrand.com>

**Phone/Fax:** 609-900-7707



# FREEWORLD BRAND, LLC

**Global Traders:** Operators of FreeWorldImports.com and FreeWorldExports.com marketplaces

---



## Before decanting

It is bitter and bitter when it is drunk,  
and it smells like a sulfide.



## After decanting

Quickly soften the wine, remove the  
preservatives and impurities in the wine,  
instantly make the wine taste better, the  
color is transparent, and the aroma is pleasant

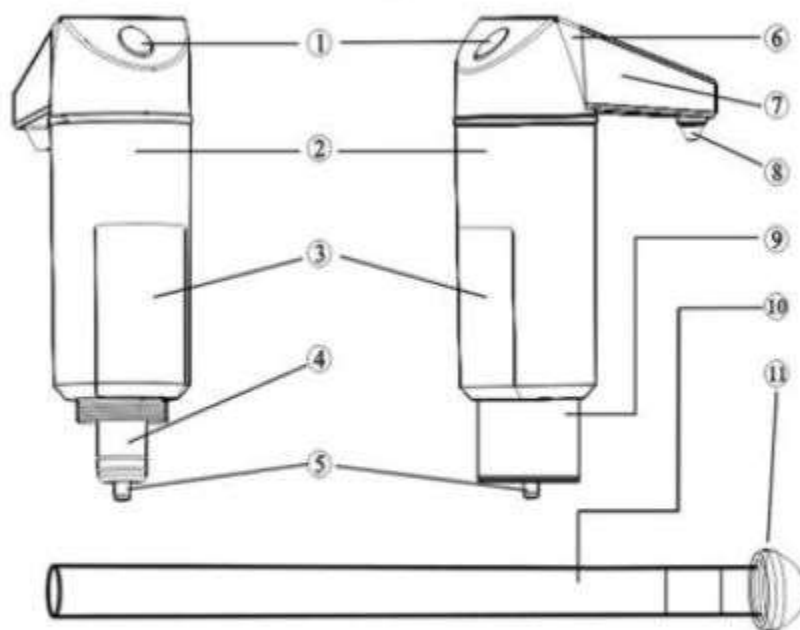


# FREeworld BRAND, LLC

Global Traders: Operators of FreeWorldImports.com and FreeWorldExports.com marketplaces

## New breakthrough in the decanter

Quickly awaken the wine through high pressure, giving the wine its proper aroma, reducing lubrication and mellow taste



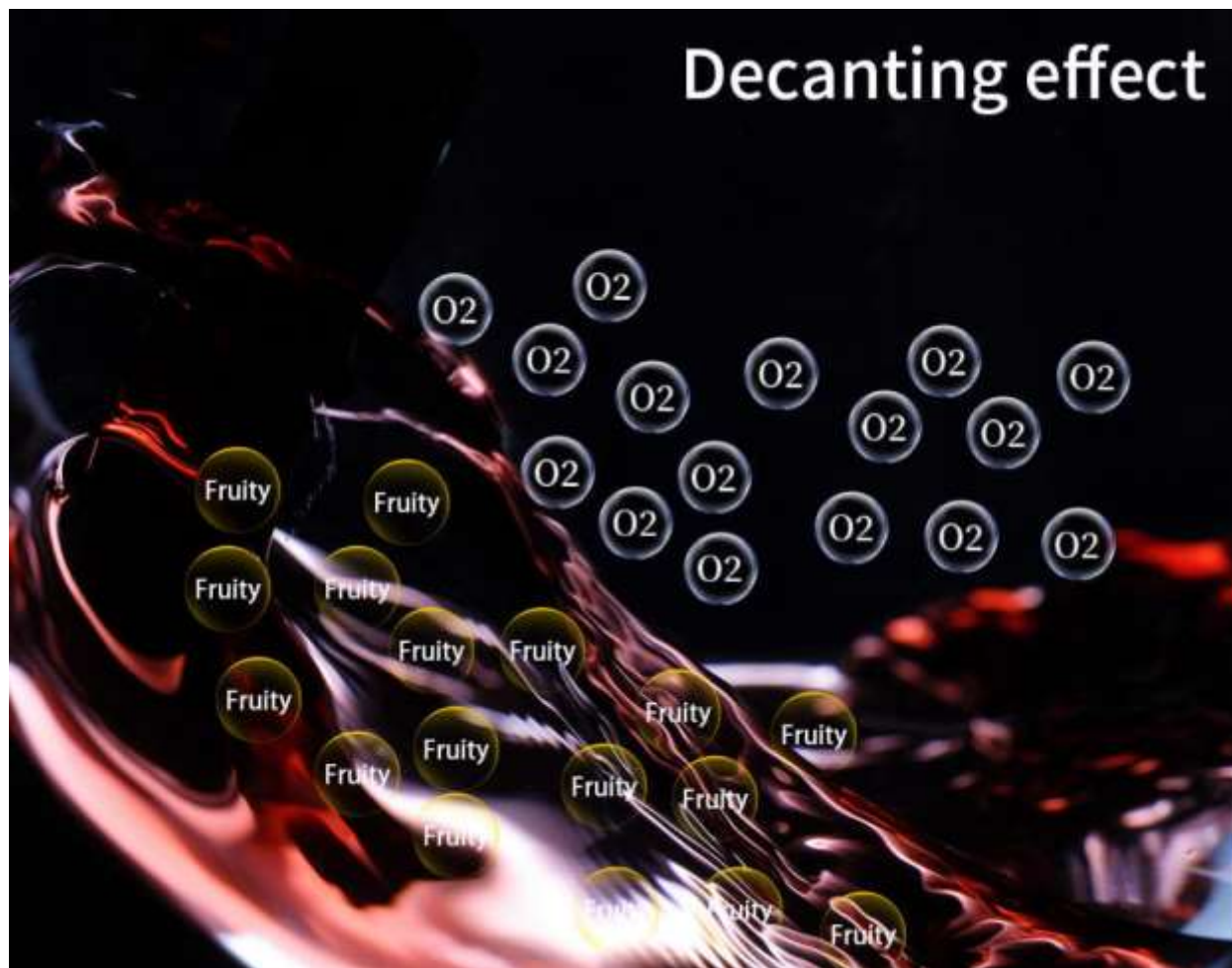
- |                       |                   |                   |
|-----------------------|-------------------|-------------------|
| ① Button              | ② Decanter host   | ③ Battery cover   |
| ④ Wine bottle stopper | ⑤ Into the wine   | ⑥ LED light       |
| ⑦ Decanter cavity     | ⑧ Out of the wine | ⑨ Wine bottle set |
| ⑩ Soft hose           | ⑪ Filter plug     |                   |



# FREEWORLD BRAND, LLC

**Global Traders:** Operators of FreeWorldImports.com and FreeWorldExports.com marketplaces

---



---

309 Fellowship Road | East Gate Center | Suite 200 | Mt. Laurel | NJ 08054

**Web-Presence:** <http://freeworldbrand.com>

**Phone/Fax:** 609-900-7707





# FREeworld BRAND, LLC

Global Traders: Operators of FreeWorldImports.com and FreeWorldExports.com marketplaces

## · Features ·

### SIMPLER OPERATION

Single button design, easy to operate. While sipping wine while pouring wine, the amount of wine can be controlled at will.



### ELECTRONIC DECANTER IN HAND

- \*Easy to carry
- \*Light weight
- \*Small volume



# FREEWORLD BRAND, LLC

**Global Traders:** Operators of FreeWorldImports.com and FreeWorldExports.com marketplaces

---

## ONE-BUTTON OPERATION INSTANT DECANTING

---

Decanting and drink, pumping, pouring and decanting wine, automatically complete with one click



## ALL-ROUND NO-HORN SUCTION HOSE

---

Easy to carry, easy to assemble, you can drink wine with one button after plugging in the catheter



# FREEWORLD BRAND, LLC

Global Traders: Operators of FreeWorldImports.com and FreeWorldExports.com marketplaces

## · PARAMETERS ·

Item: Dual motor electronic intelligent decanter

Neight: 220g(Without battery)

Battery: 3×AAA dry cell

Rated voltage: DC 4.5V

Product size: 162×108×54mm

Color box size: 195×130×68mm

## · COLOR ·



■ RED



■ GOLD  
(customized)



■ IMITATION WOOD GRAIN  
(customized)



# FREeworld BRAND, LLC

Global Traders: Operators of FreeWorldImports.com and FreeWorldExports.com marketplaces

---

## · Display ·



---

309 Fellowship Road | East Gate Center | Suite 200 | Mt. Laurel | NJ 08054

Web-Presence: <http://freeworldbrand.com>

Phone/Fax: 609-900-7707



# FREeworld BRAND, LLC

Global Traders: Operators of FreeWorldImports.com and FreeWorldExports.com marketplaces

## ·Parts List·





# FREEWORLD BRAND, LLC

Global Traders: Operators of FreeWorldImports.com and FreeWorldExports.com marketplaces

---

## **ANTI-COVID19 PRODUCTS PROMOTION**

- ❖ [READY-STOCK POWDER FREE NITRILE GLOVES OTG: EAST & WEST COAST, USA](#)
  - ❖ [READY-STOCK VINYL & LATEX GLOVES OTG: EAST AND WEST COAST, USA](#)
  - ❖ [FDA & EPA APPROVED WIPES FOR IMMEDIATE DELIVERY](#)
  - ❖ [READY STOCK - \(OTG HOUSTON\) - AMERICAN SAFETY PRODUCTS L1, L2 & L3 GOWNS AND COVERALLS](#)
  - ❖ [ALL CURRENT NON-AUCTION ANTI-COVID19 PRODUCTS OFFERS TO SELL](#)
  - ❖ [AVAILABLE ANTI-COVID-19 PRODUCTS FROM USA BASED MANUFACTURER / SUPPLIER](#)
  - ❖ [AAMI LEVEL 3 MEDICAL ISOLATION GOWN](#)
  - ❖ [FREEWORLD ANT-COVID19 PRODUCTS – NON-AUCTION ITEMS STORE](#)
- 

## **LEARN MORE ABOUT FWI DAILY FLASH SALE**



**24 X 7 X 365**



# FREEWORLD BRAND, LLC

Global Traders: Operators of FreeWorldImports.com and FreeWorldExports.com marketplaces

---

***CHECK OUT OUR!!!***

**DEPARTMENT STORES MIXED BUNDLES FOR BIG SAVINGS**



---

309 Fellowship Road | East Gate Center | Suite 200 | Mt. Laurel | NJ 08054

Web-Presence: <http://freeworldbrand.com>

Phone/Fax: 609-900-7707



# FREeworld BRAND, LLC

**Global Traders:** Operators of FreeWorldImports.com and FreeWorldExports.com marketplaces

## FWI LIQUIDATION MARKETPLACE AFFILIATE PROGRAM

Become an **ONLINE INVENTORY LIQUIDATOR** using the FWI link based model which enable you to create links to any product within the FWI Marketplace. You have the ability to share these links with potential customers via email, social media and other digital mediums. You will **earn between two to five percent (2% - 5%) commission on the sales of products** which are sold based on your efforts. These links contains identifiers that will ensure that you receive compensation when a purchase is made on a linked item containing your identifier. There are no charges associated with this groundbreaking business opportunity, your participation will not cost you a dime, it is completely free of charge.

### Online Inventory Liquidation Marketplace



### Buying Platform

<https://www.freeworldimports.com/>

📞 609-318-0570

✉ [bizdev@freeworldimports.com](mailto:bizdev@freeworldimports.com)



**ONLINE INVENTORY LIQUIDATOR REGISTRATION**

309 Fellowship Road | East Gate Center | Suite 200 | Mt. Laurel | NJ 08054

**Web-Presence:** <http://freeworldbrand.com>

**Phone/Fax:** 609-900-7707





# FREeworld BRAND, LLC

**Global Traders:** Operators of FreeWorldImports.com and FreeWorldExports.com marketplaces

## “EXPOSE YOUR PRODUCTS TO QUALIFIED BUYERS AND GAIN MORE SALES”

Become a **SUPPLIER** to FreeWorldImports. We are a **INVENTORY LIQUIDATION MARKETPLACE** with a growing customer base to include **domestic and international traders, merchants, governments and others** who have been working with us based on the long lasting relationships that we have cemented with them over the years. We are in the process of growing our supplier base and is constantly reaching out to **reputable supplier organizations** to join our supplier network.



As a supplier to our marketplace, you will be afforded the following:

1. Access to FreeWorldImports **global customer base**.
2. **Increased reach** - showcase your products within the FreeWorldImports member network.
3. **Access to the FreeWorldImports Supplier Portal** which provides the following:
  - Capability to **upload and list products** that are available for sale within the marketplace
  - **Monitor Earnings** - (Daily, Weekly, Monthly and Yearly sales activities)
  - Collaborate with FreeWorldImports Affiliates and Agents
  - Utilize FreeWorldImports link based engine to **socialize your listed products via Social Media and other digital mediums**.
4. **Get paid fast** for listed products that have been sold within the marketplace. Funds will be credited to your bank account within hours after a transaction is completed as opposed to days.

**FWI SUPPLIER REGISTRATION HERE**

309 Fellowship Road | East Gate Center | Suite 200 | Mt. Laurel | NJ 08054

**Web-Presence:** <http://freeworldbrand.com>

**Phone/Fax:** 609-900-7707



# FREeworld BRAND, LLC

**Global Traders:** Operators of FreeWorldImports.com and FreeWorldExports.com marketplaces

---

## ***FOR MORE INFORMATION FREeworld LIQUIDATION SERVICES***



**Phone:** +1-609-318-0570

**Email:** [bizdev@freeworldimports.com](mailto:bizdev@freeworldimports.com)  
[bizdev@freeworldbrand.com](mailto:bizdev@freeworldbrand.com)