



Global Traders: Operators of the Unconventional Inventory Liquidation Marketplace FreeWorldImports.com

FREEWORLD NON-AUCTION COMMODITIES | EQUIPMENT | PRODUCTS

OEM

WALL MOUNTED IRONING BOARD

309 Fellowship Road | East Gate Center | Suite 200 | Mt. Laurel | NJ 08054

Web-Presence: <http://freeworldbrand.com> | Liquidation Marketplace: <https://freeworldimports.com>

Commodities Webstore: <https://commodities.freeworldbrand.com/>

Phone/Fax: 609-318-0570 | Email: bizdev@freeworldbrand.com



Global Traders: Operators of the Unconventional Inventory Liquidation Marketplace FreeWorldImports.com

TRANSACTION / DEAL STRUCTURE

- *Branded Merchandise below wholesale price*
- *Available for Immediate Delivery – EXW Factory - (Asia) | Thirty (30) days USA – Long Beach Port, California **or** DDP – Customer Loading Dock.*
- *Customer Branding is available*
- **MOQ Requirement apply**
- **Pricing Model:** Please contact us.

Interested parties are encouraged to contact us via email: bizdev@freeworldbrand.com for pricing and other related information.

PRODUCT RELATED IMAGES AND OTHER RELATED INFORMATION APPEAR ON THE FOLLOWING PAGES

Information related to this product to include:

- **Product Description | Specifications**
- **Images**

NOTE: Principals Only.

309 Fellowship Road | East Gate Center | Suite 200 | Mt. Laurel | NJ 08054

Web-Presence: <http://freeworldbrand.com> | Liquidation Marketplace: <https://freeworldimports.com>

Commodities Webstore: <https://commodities.freeworldbrand.com/>

Phone/Fax: 609-318-0570 | Email: bizdev@freeworldbrand.com

DESCRIPTION | SPECIFICATIONS



Wall Mounted Ironing Board

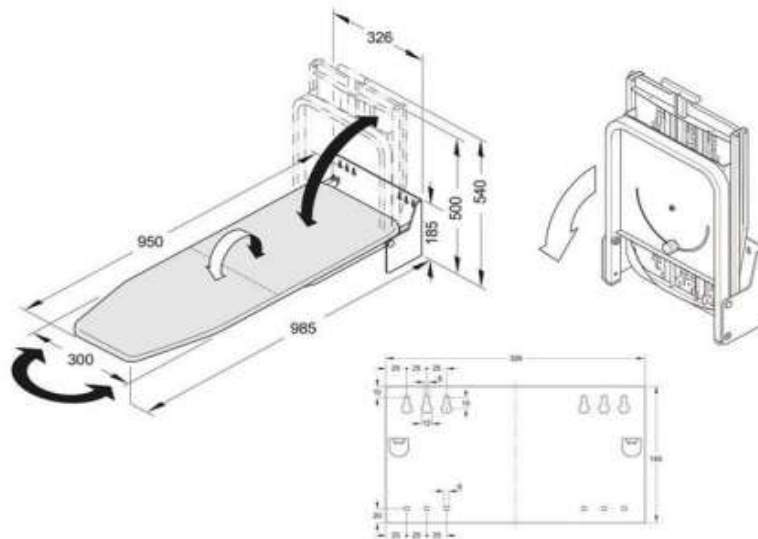
【Product Description】

- :: Wall-mounted installation: thick white painted steels are used, which are not easy to damage, and safe with strong load-bearing capacity.
- :: Delicate white coating, which will not be exposed to rust in long-term use, so to ensure a safe and pleasing ironing.
- :: Double-layer foldable and 180 degrees rotatable design make it convenient to iron clothes and put the ironing board away.
- :: Removable flame retardant cotton cover: easy to clean.
- :: Suitable for homes and hotel bedrooms with ironing rooms.



【Product Specification】

| | | | |
|-----------------------|---|--------------------------|----------------------------------|
| Type | Rotatable and foldable type | Product Size (mm) | L985 * W300 * H185 mm (unfolded) |
| Rotation Angle | 180° horizontally | Net Weight (kg) | 7.7 |
| Material | Frame: Steel Cover: High temperature resistant /flame retardant cotton | Board Length (mm) | 950 |
| Color | White cotton with gray stripes | Package Size (mm) | L540 * W345 * H150 |
| Load Capacity | 10-15 kg | Gross Weight (kg) | 8.3 |



【Install Instruction】

:: The wall-mounted board should be installed on the wall with a thickness of more than 55 mm. Please order a wooden board to thicken the wall if the thickness is not enough.

:: The standard product includes a high-temperature resistant cotton cover. Please specify if a flame retardant cover needs to be customized.

Install Into Reinforced wall only.
Do NOT INSTALL DIRECTLY INTO DRYWALL

Material and Tools:



Electric drill



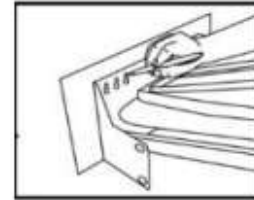
Oily pen



3" screw*6pcs

Step 1

Hold Ironing board base in place in the desired location and mark The top 4 Holes and the bottom 2 holes (this step requires 2 people)

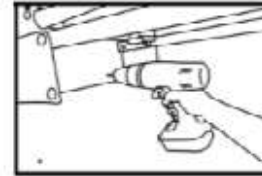


Step 2

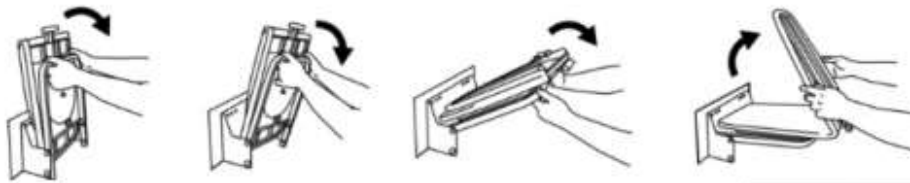
Drill the 4 top crews into the marked spots 3/4 of the way in, mount The ironing board then finish screwing in the screws.

Step 3

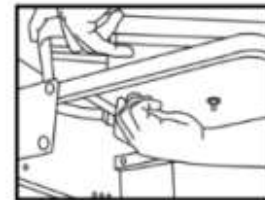
Install screws into the holes on the bottom of the Ironing board Base..



Fold and unfold the board as below:



Loose the wheel under the ironing board to rotate The board and tighten to lock the board in place.



【Shipping Information】

| SKU | Sets/ CTN | Net Weight/ CTN (kg) | Gross Weight/ CTN (kg) | Package Size (mm) | Sets/ 20 GP | Sets/ 40 GP | Sets/ 40 HP |
|----------------|-----------|----------------------|------------------------|-------------------|-------------|-------------|-------------|
| 33.35.30100200 | 1 | 7.7 | 8.3 | 540*340*150 | 980 | 2040 | 2400 |



Global Traders: Operators of the Unconventional Inventory Liquidation Marketplace FreeWorldImports.com

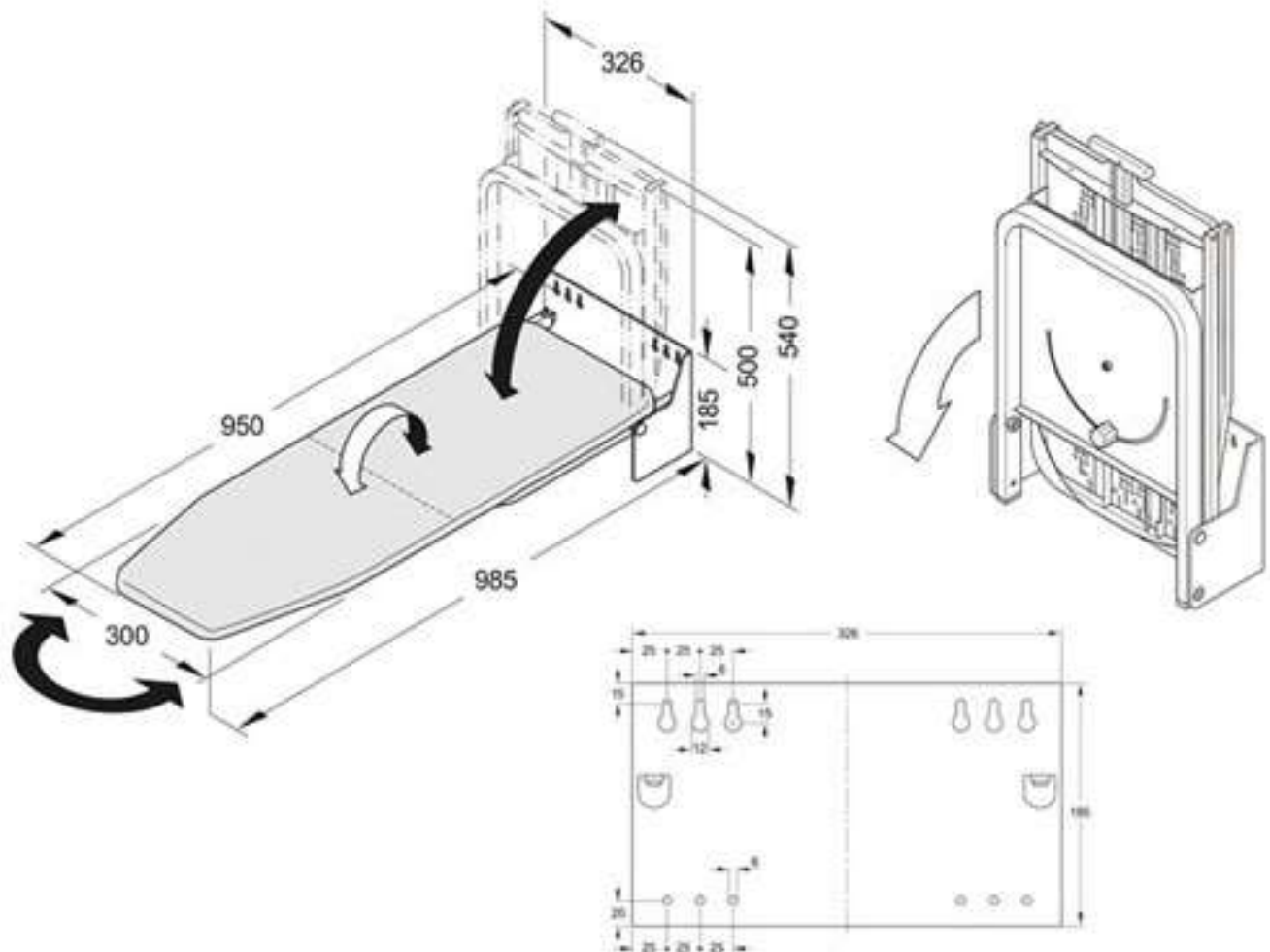


309 Fellowship Road | East Gate Center | Suite 200 | Mt. Laurel | NJ 08054

Web-Presence: <http://freeworldbrand.com> | **Liquidation Marketplace:** <https://freeworldimports.com>

Commodities Webstore: <https://commodities.freeworldbrand.com/>

Phone/Fax: 609-318-0570 | **Email:** bizdev@freeworldbrand.com





Global Traders: Operators of the Unconventional Inventory Liquidation Marketplace FreeWorldImports.com

OTHER FREEWORLD INVENTORY LIQUIDATION SERVICES OFFERINGS

Please click on the image or the associated hyperlink to learn more



[FWB – NON-AUCTION COMMODITIES WEBSTORE](#)

309 Fellowship Road | East Gate Center | Suite 200 | Mt. Laurel | NJ 08054

Web-Presence: <http://freeworldbrand.com> | Liquidation Marketplace: <https://freeworldimports.com>

Commodities Webstore: <https://commodities.freeworldbrand.com/>

Phone/Fax: 609-318-0570 | Email: bizdev@freeworldbrand.com



Global Traders: Operators of the Unconventional Inventory Liquidation Marketplace FreeWorldImports.com

Please click on the image or the associated hyperlink to learn more

A large graphic with a dark blue background and a white semi-circle at the bottom. The text "SOURCE" is in large white letters, and "HERE" is in large yellow letters. A magnifying glass with a pink handle is positioned over the word "search" on a white rectangular tag. A white feather is on the right. The website "freeworldimports.com" is in a dark blue box at the bottom left. The "FREE WORLD IMPORTS" logo is at the bottom right.

SOURCE HERE

freeworldimports.com

FREE
WORLD
IMPORTS

SOURCE YOUR PRODUCTS HERE | DELIVERED DUTY PAID (DDP)

309 Fellowship Road | East Gate Center | Suite 200 | Mt. Laurel | NJ 08054

Web-Presence: <http://freeworldbrand.com> | Liquidation Marketplace: <https://freeworldimports.com>

Commodities Webstore: <https://commodities.freeworldbrand.com/>

Phone/Fax: 609-318-0570 | Email: bizdev@freeworldbrand.com



Global Traders: Operators of the Unconventional Inventory Liquidation Marketplace FreeWorldImports.com

Please click on the image or the associated hyperlink to learn more



DEPARTMENT STORES MIXED BUNDLES FOR BIG SAVINGS

309 Fellowship Road | East Gate Center | Suite 200 | Mt. Laurel | NJ 08054

Web-Presence: <http://freeworldbrand.com> | Liquidation Marketplace: <https://freeworldimports.com>

Commodities Webstore: <https://commodities.freeworldbrand.com/>

Phone/Fax: 609-318-0570 | Email: bizdev@freeworldbrand.com



Global Traders: Operators of the Unconventional Inventory Liquidation Marketplace FreeWorldImports.com

Please click on the image or the associated hyperlink to learn more



[FWI FEATURED SUPPLIERS](#)

309 Fellowship Road | East Gate Center | Suite 200 | Mt. Laurel | NJ 08054

Web-Presence: <http://freeworldbrand.com> | Liquidation Marketplace: <https://freeworldimports.com>

Commodities Webstore: <https://commodities.freeworldbrand.com/>

Phone/Fax: 609-318-0570 | Email: bizdev@freeworldbrand.com



Global Traders: Operators of the Unconventional Inventory Liquidation Marketplace FreeWorldImports.com

Please click on the image or the associated hyperlink to learn more



[24 X 7 X 365 NON-AUCTION DEALS](#)

309 Fellowship Road | East Gate Center | Suite 200 | Mt. Laurel | NJ 08054

Web-Presence: <http://freeworldbrand.com> | Liquidation Marketplace: <https://freeworldimports.com>

Commodities Webstore: <https://commodities.freeworldbrand.com/>

Phone/Fax: 609-318-0570 | Email: bizdev@freeworldbrand.com



Global Traders: Operators of the Unconventional Inventory Liquidation Marketplace FreeWorldImports.com

Please click on the image or the associated hyperlink to learn more

FWI LIQUIDATION MARKETPLACE AFFILIATE PROGRAM

Become an **ONLINE INVENTORY LIQUIDATOR** using the FWI link based model which enable you to create links to any product within the FWI Marketplace. You have the ability to share these links with potential customers via email, social media and other digital mediums. You will **earn between two to five percent (2% - 5%) commission on the sales of products** which are sold based on your efforts. These links contains identifiers that will ensure that you receive compensation when a purchase is made on a linked item containing your identifier. There are no charges associated with this groundbreaking business opportunity, your participation will not cost you a dime, it is completely free of charge.

Online Inventory Liquidation Marketplace



FREE WORLD IMPORTS
COMMODITIES WEBSITE

Buying Platform
<https://www.freeworldimports.com/>
609-318-0570
bizdev@freeworldimports.com

ONLINE INVENTORY LIQUIDATOR REGISTRATION

[FWI AFFILIATE PROGRAM](#)

309 Fellowship Road | East Gate Center | Suite 200 | Mt. Laurel | NJ 08054

Web-Presence: <http://freeworldbrand.com> | Liquidation Marketplace: <https://freeworldimports.com>

Commodities Webstore: <https://commodities.freeworldbrand.com/>

Phone/Fax: 609-318-0570 | Email: bizdev@freeworldbrand.com



Global Traders: Operators of the Unconventional Inventory Liquidation Marketplace FreeWorldImports.com

Please click on the image or the associated hyperlink to learn more



FEATURE YOUR COMPANY AND YOUR PRODUCTS WITHIN THE UNCONVENTIONAL INVENTORY LIQUIDATION MARKETPLACE

www.freeworldimports.com



JOIN US

AS A FREEWORLDIMPORTS SUPPLIER

The central graphic is a white rectangular box with a blue border. It contains the Freeworld Imports logo in the top right corner. Below the logo, there is text inviting companies to feature their products in the marketplace, followed by the website URL. In the center, two black silhouettes of business men in suits are shaking hands, with one standing on a large blue letter 'J' and the other on a large blue letter 'S'. Below this, the words "JOIN US" are written in large, bold, blue letters, and "AS A FREEWORLDIMPORTS SUPPLIER" is written in smaller, black, all-caps letters at the bottom.

[FWI SUPPLIER ENGAGEMENT](#)

309 Fellowship Road | East Gate Center | Suite 200 | Mt. Laurel | NJ 08054

Web-Presence: <http://freeworldbrand.com> | Liquidation Marketplace: <https://freeworldimports.com>

Commodities Webstore: <https://commodities.freeworldbrand.com/>

Phone/Fax: 609-318-0570 | Email: bizdev@freeworldbrand.com

Please click on the image or the associated hyperlink to learn more



VPOS **HSRLCO
SOLUTION**

DELIVERING VALUE TO CALL CENTERS AND BEYOND INTEGRATED
VIRTUAL POINT OF SALE SOLUTION

www.sasapplication.com/webapplication

**CLOUD BASED SOLUTIONS FOR FORWARD LOOKING
ORGANIZATIONS**

Please click on the image or the associated hyperlink to learn more



PINK LABELED WOMEN'S URBAN APPAREL



Global Traders: Operators of the Unconventional Inventory Liquidation Marketplace FreeWorldImports.com

FOR MORE INFORMATION FREEWORLD LIQUIDATION SERVICES A Service of FreeWorld Brand, LLC



Phone: +1-609-318-0570

Email: bizdev@freeworldimports.com
bizdev@freeworldbrand.com

309 Fellowship Road | East Gate Center | Suite 200 | Mt. Laurel | NJ 08054

Web-Presence: <http://freeworldbrand.com> | **Liquidation Marketplace:** <https://freeworldimports.com>

Commodities Webstore: <https://commodities.freeworldbrand.com/>

Phone/Fax: 609-318-0570 | **Email:** bizdev@freeworldbrand.com